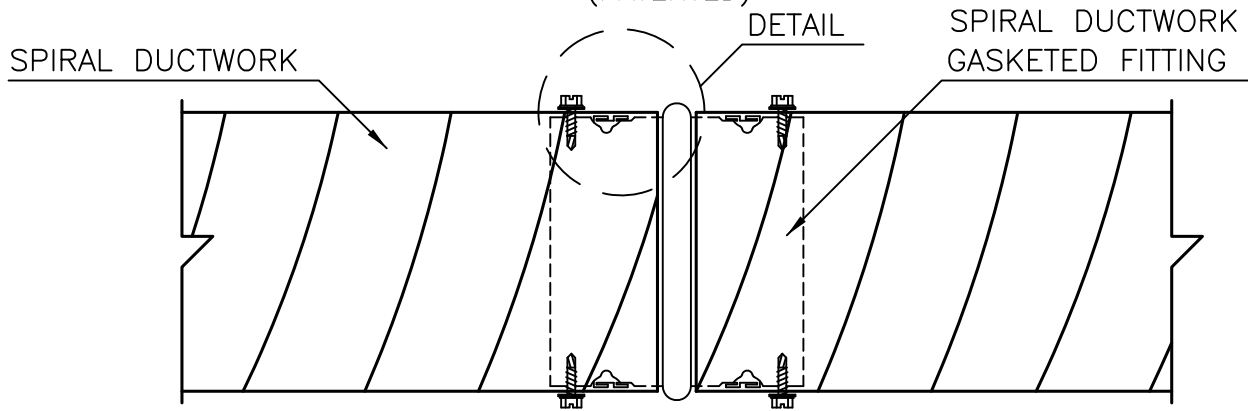
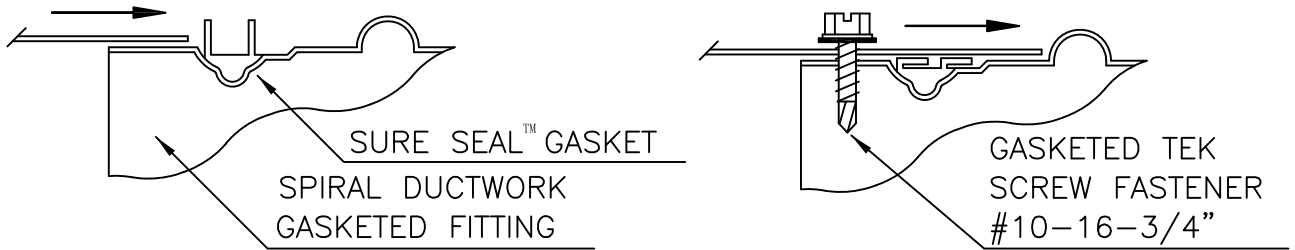


SUBMITTAL SURE • SEAL™ (PATENTED)



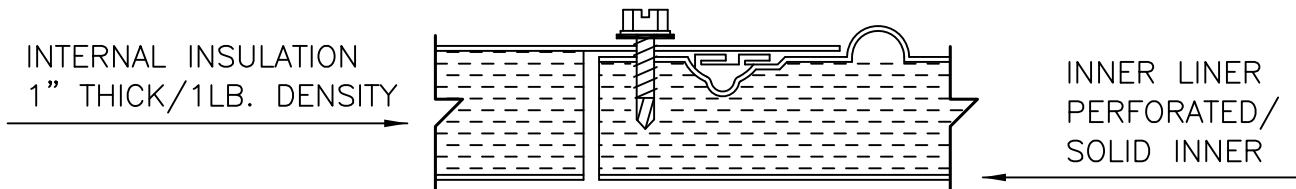
SURE SEAL™ DETAIL

SINGLE WALL SPIRAL DUCTWORK



SURE SEAL™ DETAIL

DOUBLE WALL SPIRAL DUCTWORK



PROFILE
EPDM RUBBER GASKET

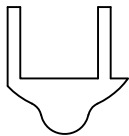
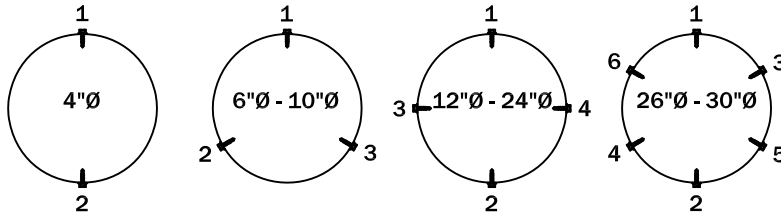


DIAGRAM BELOW SHOWS TEK SCREW
QUANTITY AND PLACEMENT SEQUENCE



SURE SEAL™ SPIRAL DUCTWORK 4"–30" ROUND DUCTWORK GAUGE UNREINFORCED POSITIVE PRESSURE TO 10" W.G.			
DIAMETER	FITTING	DIAMETER	SPIRAL
4"–20"	24 GAUGE	4"–24"	26 GAUGE
21"–30"	22 GAUGE	25"–30"	24 GAUGE

MATERIAL, GALVANIZED, GALVANNEALED,
STAINLESS STEEL, PVC COATED.

www.langdonsheetmetal.com

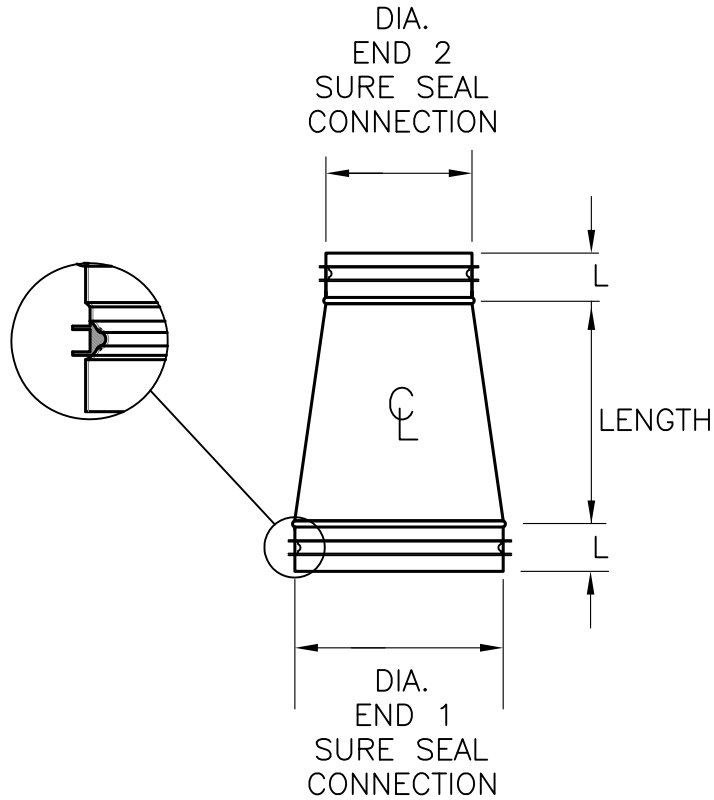
Cincinnati, Ohio. 45215
The above mentioned product, is protected by patents and trade marks
All Rights Reserved updated 3/8/13

SUBMITTAL

SURE • SEAL SPIRAL FITTINGS

(PATENTED)

#57 CONCENTRIC REDUCER



SYSTEM NUMBER/AREA : _____	<u>TAG</u>	<u>QTY.</u>	<u>DIA. END 1</u>	<u>DIA END 2</u>
MATERIAL/STATIC WG : _____	_____	_____	_____	_____

FABRICATE IN ACCORDANCE WITH
SMACNA DUCT CONSTRUCTION STANDARDS

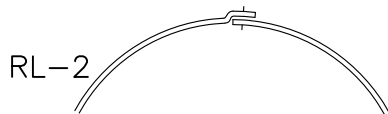
TRANSVERSE JOINT

SMALL END SLIP CONNECTION

- 3"-11" DIA. L=2 1/2" ±
- 12"-20" DIA. L=2 7/8" ±
- 22"-36" DIA. L=3 1/4" ±

LONGITUDINAL SEAMS

LAP, SPOTWELD AND SEAL



LENGTH (4" MINIMUM)
END 1 - END 2

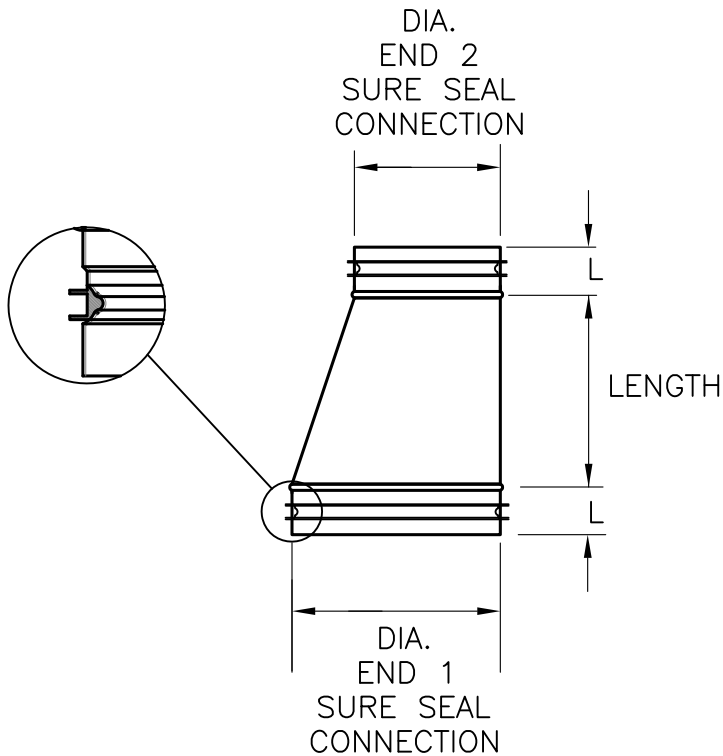
www.langdonsheetmetal.com

SUBMITTAL

SURE • SEAL SPIRAL FITTINGS

(PATENTED)

#69 ECENTRIC REDUCER



SYSTEM NUMBER/AREA : _____	<u>TAG</u>	<u>QTY.</u>	<u>DIA. END 1</u>	<u>DIA. END 2</u>
MATERIAL/STATIC WG : _____	_____	_____	_____	_____
FABRICATE IN ACCORDANCE WITH SMACNA DUCT CONSTRUCTION STANDARDS				
<u>TRANSVERSE JOINT</u>				
SMALL END SLIP CONNECTION				
3"–11" DIA. L=2 1/2"±				
12"–20" DIA. L=2 7/8"±				
22"–36" DIA. L=3 1/4"±				
<u>LONGITUDINAL SEAMS</u>				
LAP, SPOTWELD AND SEAL				
<div style="display: flex; align-items: center;"> RL-2 </div>				
<u>LENGTH (4" MINIMUM)</u>				
(END 1 – END 2) x 2				

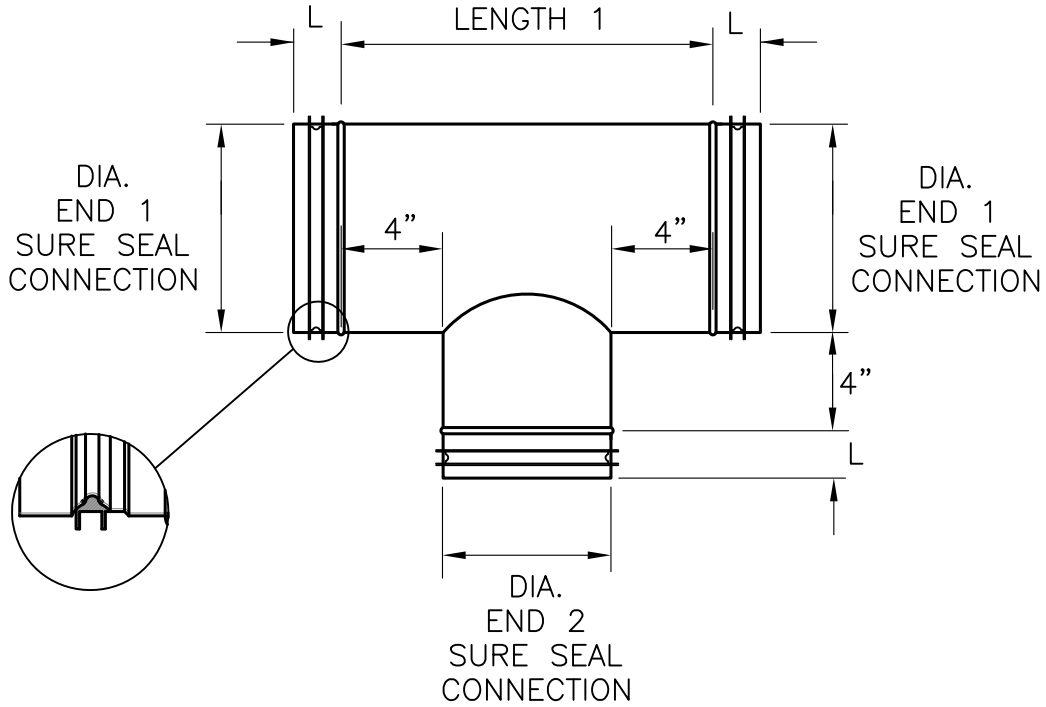
www.langdonsheetmetal.com

SUBMITTAL

SURE • SEAL SPIRAL FITTINGS

(PATENTED)

#55 STRAIGHT 90 DEGREE TEE



SYSTEM NUMBER/AREA : _____	<u>TAG</u>	<u>QTY.</u>	<u>DIA. END 1</u>	<u>DIA. END 2</u>
MATERIAL/STATIC WG : _____	_____	_____	_____	_____

FABRICATE IN ACCORDANCE WITH
SMACNA DUCT CONSTRUCTION STANDARDS

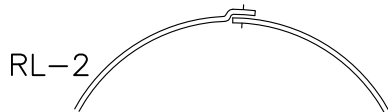
TRANSVERSE JOINT

SMALL END SLIP CONNECTION

- 3"–11" DIA. L=2 1/2"±
- 12"–20" DIA. L=2 7/8"±
- 22"–36" DIA. L=3 1/4"±

LONGITUDINAL SEAMS

LAP, SPOTWELD AND SEAL



LENGTH 1

END 2 + 8"

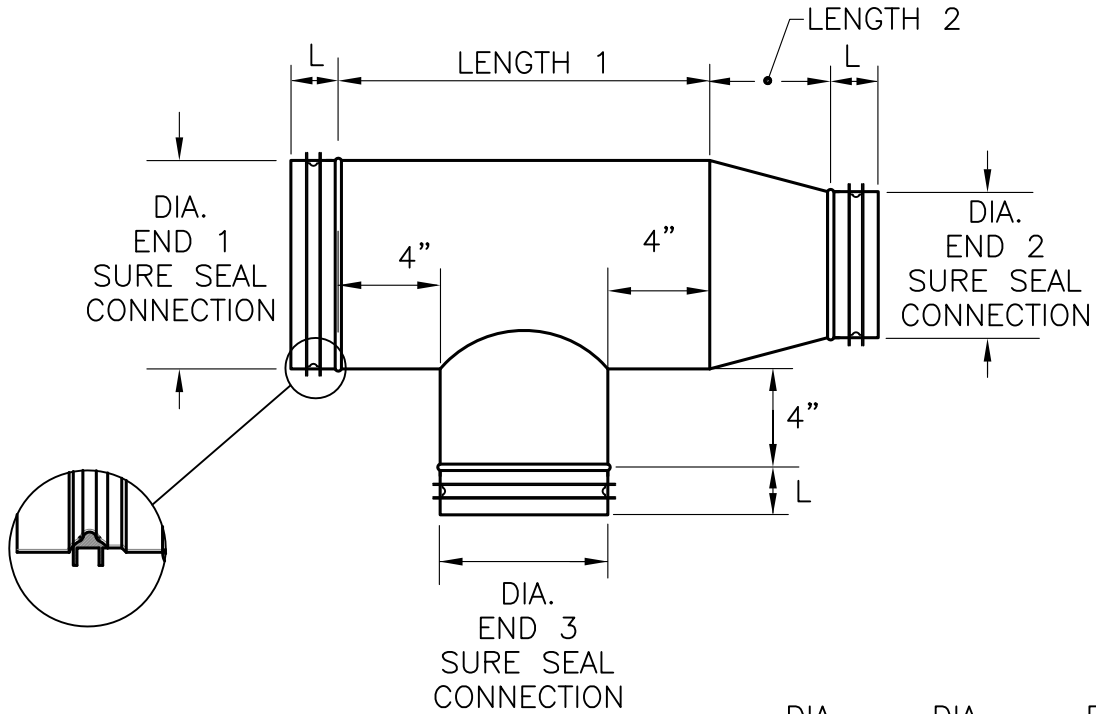
www.langdonsheetmetal.com

SUBMITTAL

SURE • SEAL SPIRAL FITTINGS

(PATENTED)

#65 CONCENTRIC REDUCING TEE 90 DEGREE



SYSTEM NUMBER/AREA : _____	<u>TAG</u>	<u>QTY.</u>	<u>DIA.</u> <u>END 1</u>	<u>DIA.</u> <u>END 2</u>	<u>DIA.</u> <u>END 3</u>
MATERIAL/STATIC WG : _____	_____	_____	_____	_____	_____

FABRICATE IN ACCORDANCE WITH
SMACNA DUCT CONSTRUCTION STANDARDS

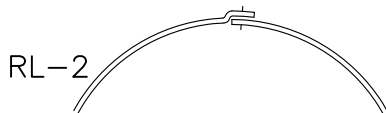
TRANSVERSE JOINT

SMALL END SLIP CONNECTION

- 3"-11" DIA. L=2 1/2" ±
- 12"-20" DIA. L=2 7/8" ±
- 22"-36" DIA. L=3 1/4" ±

LONGITUDINAL SEAMS

LAP, SPOTWELD AND SEAL



LENGTH 1
END 3 + 8"

LENGTH 2 (4" MINIMUM)
END 1 - END 2

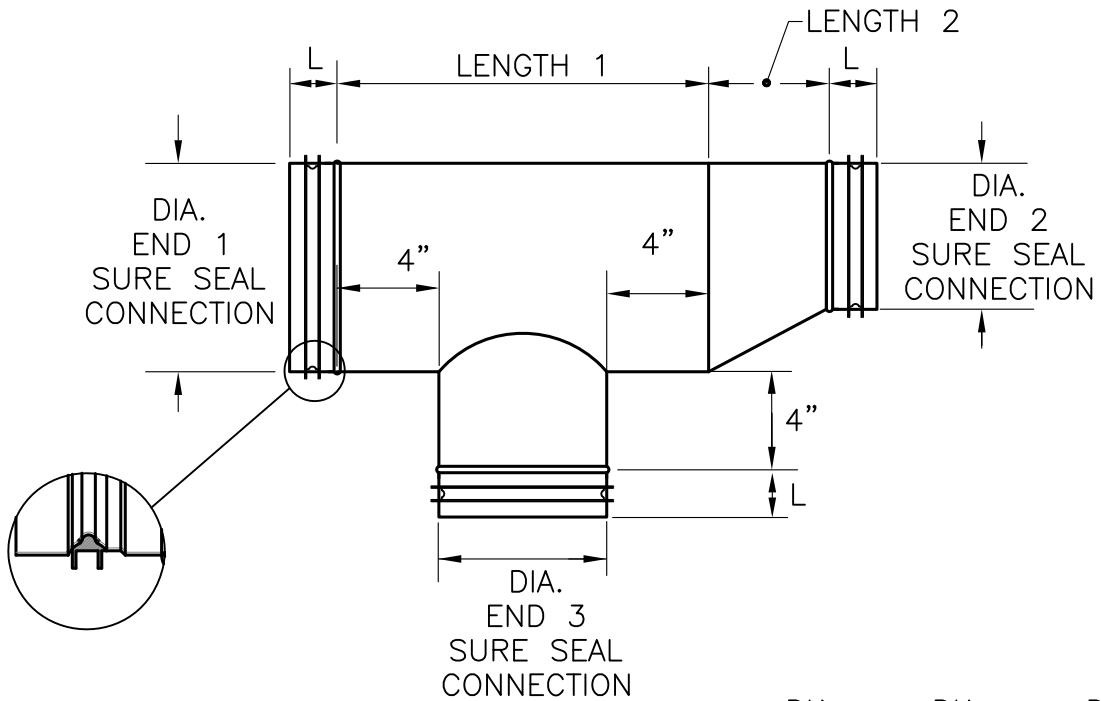
www.langdonsheetmetal.com

SUBMITTAL

SURE • SEAL SPIRAL FITTINGS

(PATENTED)

#65F ECCENTRIC REDUCING TEE 90 DEGREE



SYSTEM NUMBER/AREA : _____	TAG	QTY.	DIA. END 1	DIA. END 2	DIA. END 3
MATERIAL/STATIC WG : _____	_____	_____	_____	_____	_____

FABRICATE IN ACCORDANCE WITH
SMACNA DUCT CONSTRUCTION STANDARDS

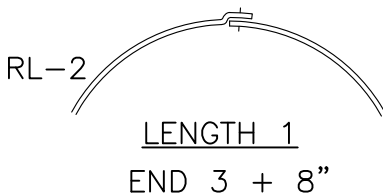
TRANSVERSE JOINT

SMALL END SLIP CONNECTION

- 3"–11" DIA. L=2 1/2"±
- 12"–20" DIA. L=2 7/8"±
- 22"–36" DIA. L=3 1/4"±

LONGITUDINAL SEAMS

LAP, SPOTWELD AND SEAL



LENGTH 2 (4" MINIMUM)
(END 1 – END 2) X 2

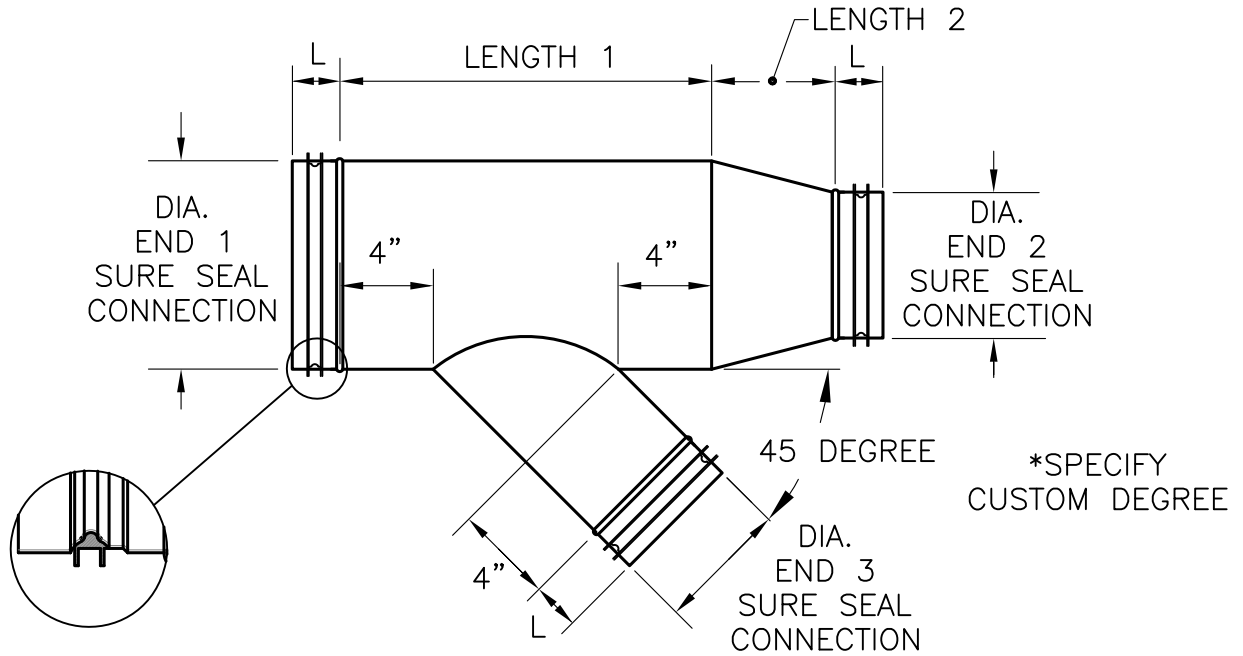
www.langdonsheetmetal.com

SUBMITTAL

SURE • SEAL SPIRAL FITTINGS

(PATENTED)

#63 REDUCING LATERAL



SYSTEM NUMBER/AREA : _____	TAG	QTY.	DIA. END 1	DIA. END 2	DIA. END 3
MATERIAL/STATIC WG : _____	_____	_____	_____	_____	_____

FABRICATE IN ACCORDANCE WITH
SMACNA DUCT CONSTRUCTION STANDARDS

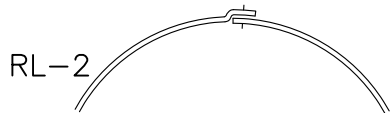
TRANSVERSE JOINT

SMALL END SLIP CONNECTION

- 3"-11" DIA. L=2 1/2"±
- 12"-20" DIA. L=2 7/8"±
- 22"-36" DIA. L=3 1/4"±

LONGITUDINAL SEAMS

LAP, SPOTWELD AND SEAL



LENGTH 1

- 45 DEGREE: DIA. END 3 X (1.41) + 8
- 30 DEGREE: DIA. END 3 X (2) + 8

LENGTH 2 (4" MINIMUM)

END 1 - END 2

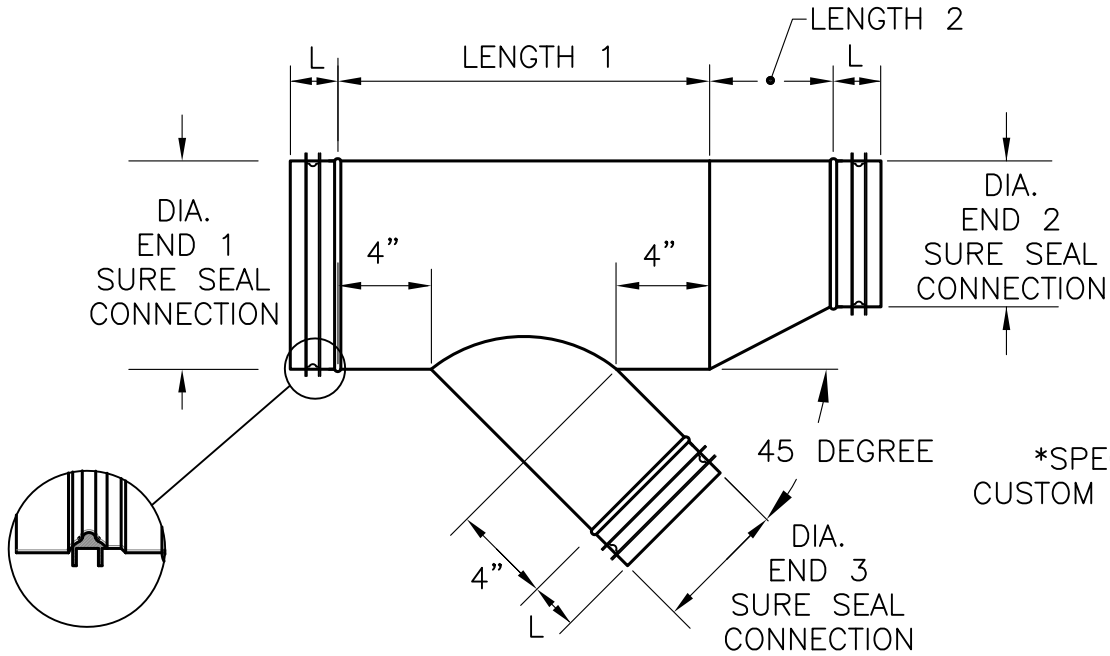
www.langdonsheetmetal.com

SUBMITTAL

SURE • SEAL SPIRAL FITTINGS

(PATENTED)

#63F ECCENTRIC REDUCING LATERAL



*SPECIFY
CUSTOM DEGREE

SYSTEM NUMBER/AREA : _____	TAG	QTY.	DIA. END 1	DIA. END 2	DIA. END 3
MATERIAL/STATIC WG : _____	_____	_____	_____	_____	_____
FABRICATE IN ACCORDANCE WITH SMACNA DUCT CONSTRUCTION STANDARDS	_____	_____	_____	_____	_____
<u>TRANSVERSE JOINT</u>	_____	_____	_____	_____	_____
SMALL END SLIP CONNECTION	_____	_____	_____	_____	_____
3"-11" DIA. L=2 1/2"	_____	_____	_____	_____	_____
12"-20" DIA. L=2 7/8"	_____	_____	_____	_____	_____
22"-36" DIA. L=3 1/4"	_____	_____	_____	_____	_____
<u>LONGITUDINAL SEAMS</u>	_____	_____	_____	_____	_____
LAP, SPOTWELD AND SEAL	_____	_____	_____	_____	_____
RL-2	_____	_____	_____	_____	_____
<u>LENGTH 1</u>	_____	_____	_____	_____	_____
45 DEGREE: DIA. END 3 X (1.41) + 8	_____	_____	_____	_____	_____
30 DEGREE: DIA. END 3 X (2) + 8	_____	_____	_____	_____	_____
<u>LENGTH 2 (4" MINIMUM)</u>	_____	_____	_____	_____	_____
(END 1 - END 2) X 2	_____	_____	_____	_____	_____

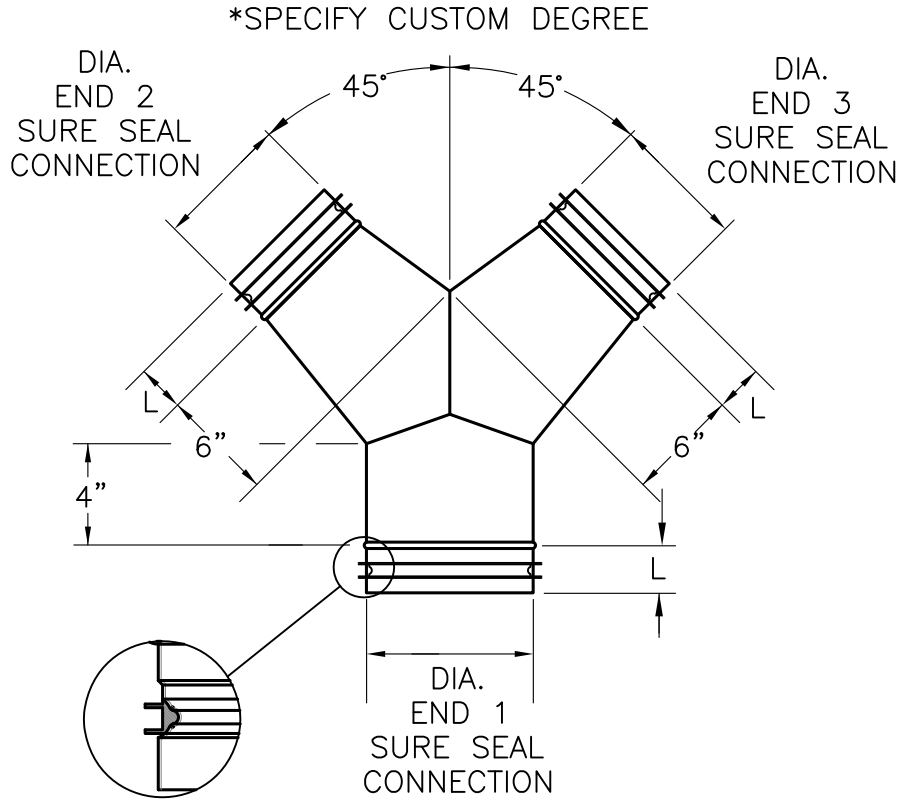
www.langdonsheetmetal.com

SUBMITTAL

SURE • SEAL SPIRAL FITTINGS

(PATENTED)

#132 45° Y BRANCH REDUCING



	<u>TAG</u>	<u>QTY.</u>	<u>DIA.</u> <u>END 1</u>	<u>DIA.</u> <u>END 2</u>	<u>DIA.</u> <u>END 3</u>
SYSTEM NUMBER/AREA : _____	_____	_____	_____	_____	_____
MATERIAL/STATIC WG : _____	_____	_____	_____	_____	_____

FABRICATE IN ACCORDANCE WITH
SMACNA DUCT CONSTRUCTION STANDARDS

TRANSVERSE JOINT

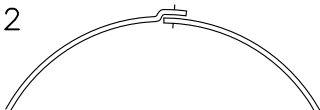
SMALL END SLIP CONNECTION

- 3"-11" DIA. L=2 1/2" ±
- 12"-20" DIA. L=2 7/8" ±
- 22"-36" DIA. L=3 1/4" ±

LONGITUDINAL SEAMS

LAP, SPOTWELD AND SEAL

RL-2



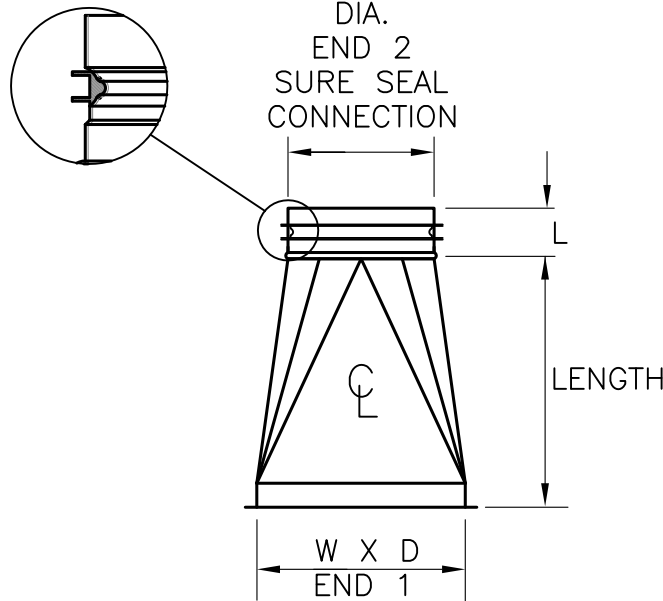
www.langdonsheetmetal.com

SUBMITTAL

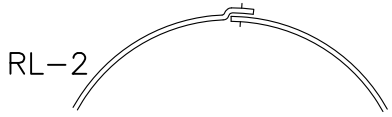
SURE • SEAL SPIRAL FITTINGS

(PATENTED)

#50 CENTER LINE SQUARE TO ROUND



S & D-TDC-FLG-RAW

	<u>TAG</u>	<u>QTY.</u>	<u>W X D</u> <u>END 1</u> <u>CENTERLINE</u>	<u>CONN.</u> <u>TYPE</u> <u>END 1</u>	<u>DIA.</u> <u>END 2</u> <u>CENTERLINE</u>
SYSTEM NUMBER/AREA : _____	_____	_____	X	_____	_____
MATERIAL/STATIC WG : _____	_____	_____	X	_____	_____
FABRICATE IN ACCORDANCE WITH SMACNA DUCT CONSTRUCTION STANDARDS	_____	_____	X	_____	_____
<u>END 1 TRANSVERSE JOINT</u>	_____	_____	X	_____	_____
S & D-TDC-FLG-RAW	_____	_____	X	_____	_____
<u>END 2 TRANSVERSE JOINT</u>	_____	_____	X	_____	_____
SMALL END SLIP CONNECTION	_____	_____	X	_____	_____
3"-11" DIA. L=2 1/2" ±	_____	_____	X	_____	_____
12"-20" DIA. L=2 7/8" ±	_____	_____	X	_____	_____
22"-36" DIA. L=3 1/4" ±	_____	_____	X	_____	_____
<u>LONGITUDINAL SEAMS</u>	_____	_____	X	_____	_____
LAP, SPOTWELD AND SEAL	_____	_____	X	_____	_____
	_____	_____	X	_____	_____
<u>LENGTH (6" MINIMUM)</u>	_____	_____	X	_____	_____
END 1 (W OR D LARGEST ONE)	_____	_____	X	_____	_____
- END 2	_____	_____	X	_____	_____

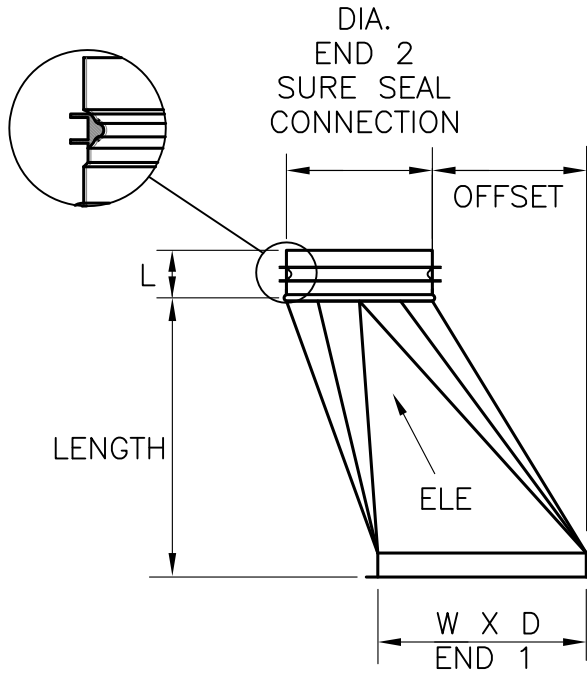
www.langdonsheetmetal.com

SUBMITTAL

SURE • SEAL SPIRAL FITTINGS

(PATENTED)

#74 OFFSET SQUARE TO ROUND



S & D-TDC-FLG-RAW

SYSTEM NUMBER/AREA : _____

MATERIAL/STATIC WG : _____

FABRICATE IN ACCORDANCE WITH
SMACNA DUCT CONSTRUCTION STANDARDS

END 1 TRANSVERSE JOINT

S & D-TDC-FLG-RAW

END 2 TRANSVERSE JOINT

SMALL END SLIP CONNECTION

3"-11" DIA. L=2 1/2[±]

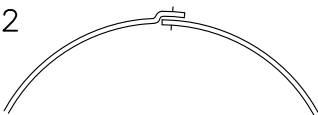
12"-20" DIA. L=2 7/8[±]

22"-36" DIA. L=3 1/4[±]

LONGITUDINAL SEAMS

LAP, SPOTWELD AND SEAL

RL-2



LENGTH (6" MINIMUM)

OFFSET X 2

	<u>TAG</u>	<u>QTY.</u>	<u>W X D</u> <u>END 1</u>	<u>CONN.</u> <u>TYPE</u> <u>END 1</u>	<u>DIA</u> <u>END 2</u>	<u>OFFSET</u>	<u>ELE.</u> <u>TU/TD</u>
	_____	_____	X	_____	_____	_____	_____
	_____	_____	X	_____	_____	_____	_____
	_____	_____	X	_____	_____	_____	_____
	_____	_____	X	_____	_____	_____	_____
	_____	_____	X	_____	_____	_____	_____
	_____	_____	X	_____	_____	_____	_____
	_____	_____	X	_____	_____	_____	_____
	_____	_____	X	_____	_____	_____	_____
	_____	_____	X	_____	_____	_____	_____

www.langdonsheetmetal.com

Langdon, Inc.: 9865 Wayne Avenue, Cincinnati, Ohio, 45215 Ph. 513-733-5955 Fax. 513-733-8050

The above mentioned product, is protected by patents and trade marks

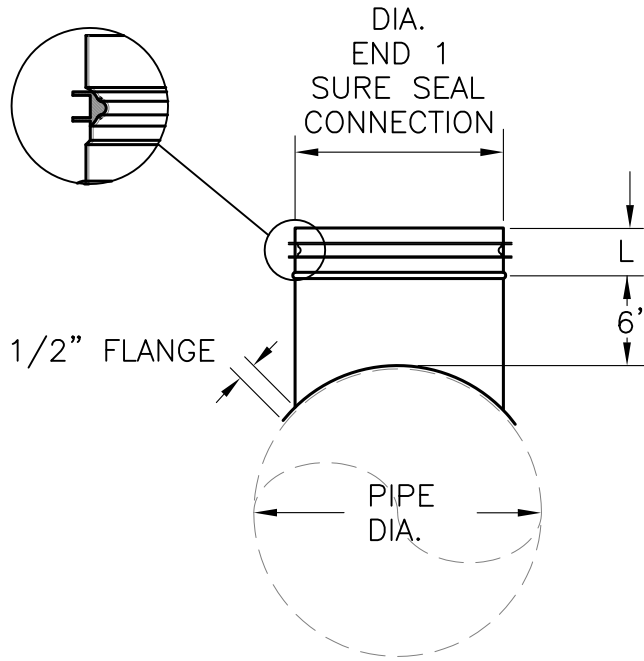
copyright 2008 All Rights Reserved updated 12/17/12

SUBMITTAL

SURE • SEAL SPIRAL FITTINGS

(PATENTED)

#67-90 FIELD MOUNTED STRAIGHT TAP ON ROUND



SYSTEM NUMBER/AREA : _____	<u>TAG</u>	<u>QTY.</u>	<u>DIA. END 1</u>	<u>PIPE DIA.</u>
MATERIAL/STATIC WG : _____	_____	_____	_____	_____

FABRICATE IN ACCORDANCE WITH
SMACNA DUCT CONSTRUCTION STANDARDS

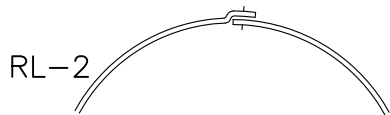
TRANSVERSE JOINT

SMALL END SLIP CONNECTION

- 3"-11" DIA. L=2 1/2" ±
- 12"-20" DIA. L=2 7/8" ±
- 22"-36" DIA. L=3 1/4" ±

LONGITUDINAL SEAMS

LAP, SPOTWELD AND SEAL



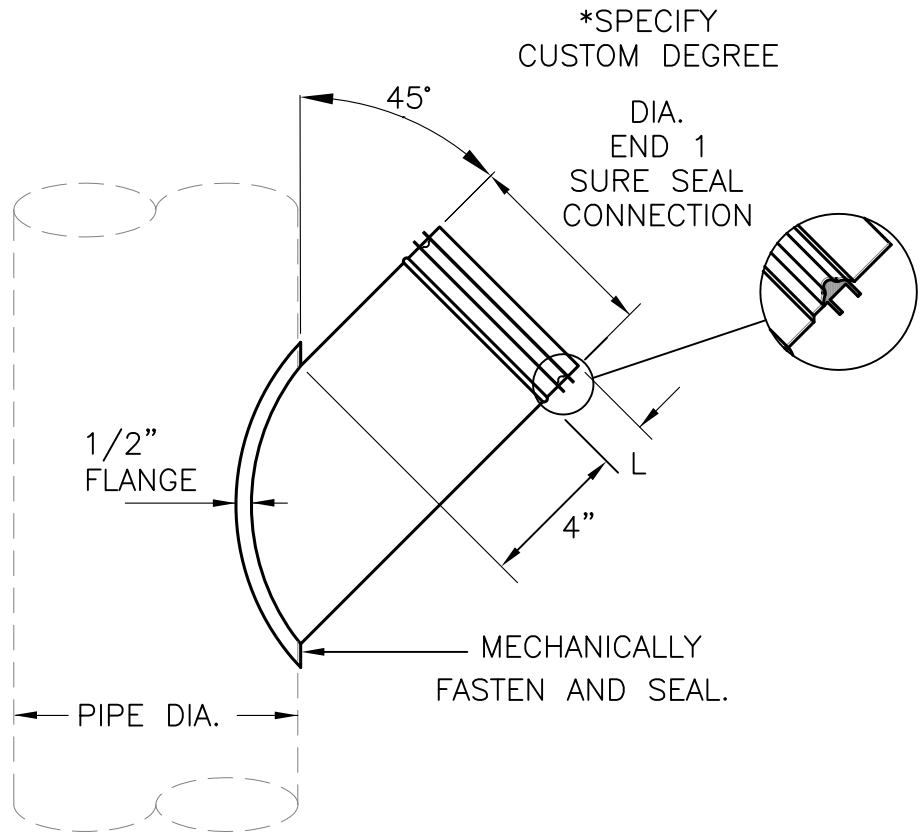
	_____	_____	_____	_____
	_____	_____	_____	_____
	_____	_____	_____	_____
	_____	_____	_____	_____
	_____	_____	_____	_____
	_____	_____	_____	_____
	_____	_____	_____	_____
	_____	_____	_____	_____
	_____	_____	_____	_____

SUBMITTAL

SURE • SEAL SPIRAL FITTINGS

(PATENTED)

#67 FIELD MOUNTED LATERAL TAP



SYSTEM NUMBER/AREA : _____
 MATERIAL/STATIC WG : _____

TAG QTY. DIA. END 1 PIPE DIA.

FABRICATE IN ACCORDANCE WITH
 SMACNA DUCT CONSTRUCTION STANDARDS

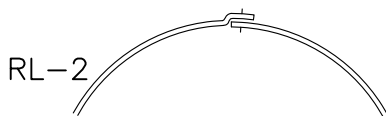
TRANSVERSE JOINT

SMALL END SLIP CONNECTION

- 3"–11" DIA. L=2 1/2"±
- 12"–20" DIA. L=2 7/8"±
- 22"–36" DIA. L=3 1/4"±

LONGITUDINAL SEAMS

LAP, SPOTWELD AND SEAL



_____	_____	_____	_____
_____	_____	_____	_____
_____	_____	_____	_____
_____	_____	_____	_____
_____	_____	_____	_____
_____	_____	_____	_____
_____	_____	_____	_____
_____	_____	_____	_____
_____	_____	_____	_____
_____	_____	_____	_____
_____	_____	_____	_____

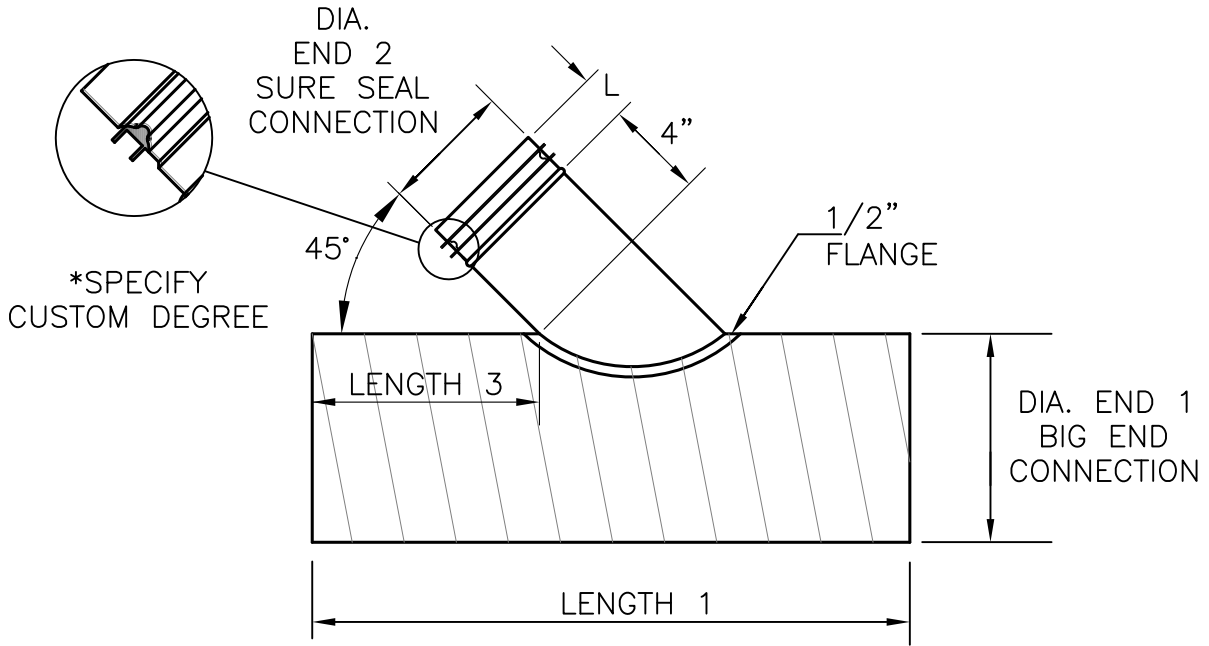
www.langdonsheetmetal.com

SUBMITTAL

SURE • SEAL SPIRAL FITTINGS

(PATENTED)

#54S LATERAL SHOP MOUNTED



SYSTEM NUMBER/AREA :							
MATERIAL/STATIC WG :							
	<u>TAG</u>	<u>QTY.</u>	<u>DIA.</u> <u>END 1</u>	<u>DIA.</u> <u>END 2</u>	<u>LENGTH 1</u>	<u>LENGTH 3</u>	

FABRICATE IN ACCORDANCE WITH
SMACNA DUCT CONSTRUCTION STANDARDS

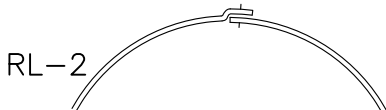
TRANSVERSE JOINT

SMALL END SLIP CONNECTION

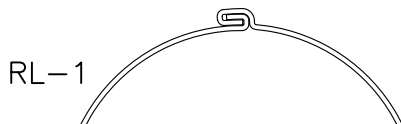
- 3"–11" DIA. L=2 1/2"±
- 12"–20" DIA. L=2 7/8"±
- 22"–36" DIA. L=3 1/4"±

LATERAL LONGITUDINAL SEAM

LAP, SPOTWELD AND SEAL



BODY LONGITUDINAL SEAM
SPIRAL SEAM



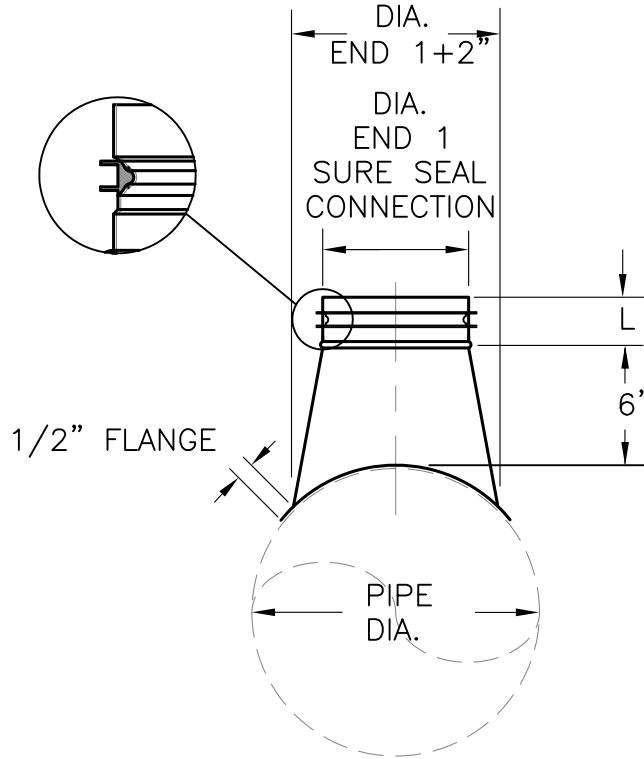
www.langdonsheetmetal.com

SUBMITTAL

SURE • SEAL SPIRAL FITTINGS

(PATENTED)

#56T CONICAL TAP ON ROUND



SYSTEM NUMBER/AREA : _____	<u>TAG</u>	<u>QTY.</u>	<u>DIA. END 1</u>	<u>PIPE DIA.</u>
MATERIAL/STATIC WG : _____	_____	_____	_____	_____

FABRICATE IN ACCORDANCE WITH
SMACNA DUCT CONSTRUCTION STANDARDS

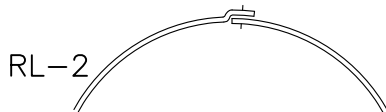
TRANSVERSE JOINT

SMALL END SLIP CONNECTION

- 3"–11" DIA. L=2 1/2" ±
- 12"–20" DIA. L=2 7/8" ±
- 22"–36" DIA. L=3 1/4" ±

LONGITUDINAL SEAMS

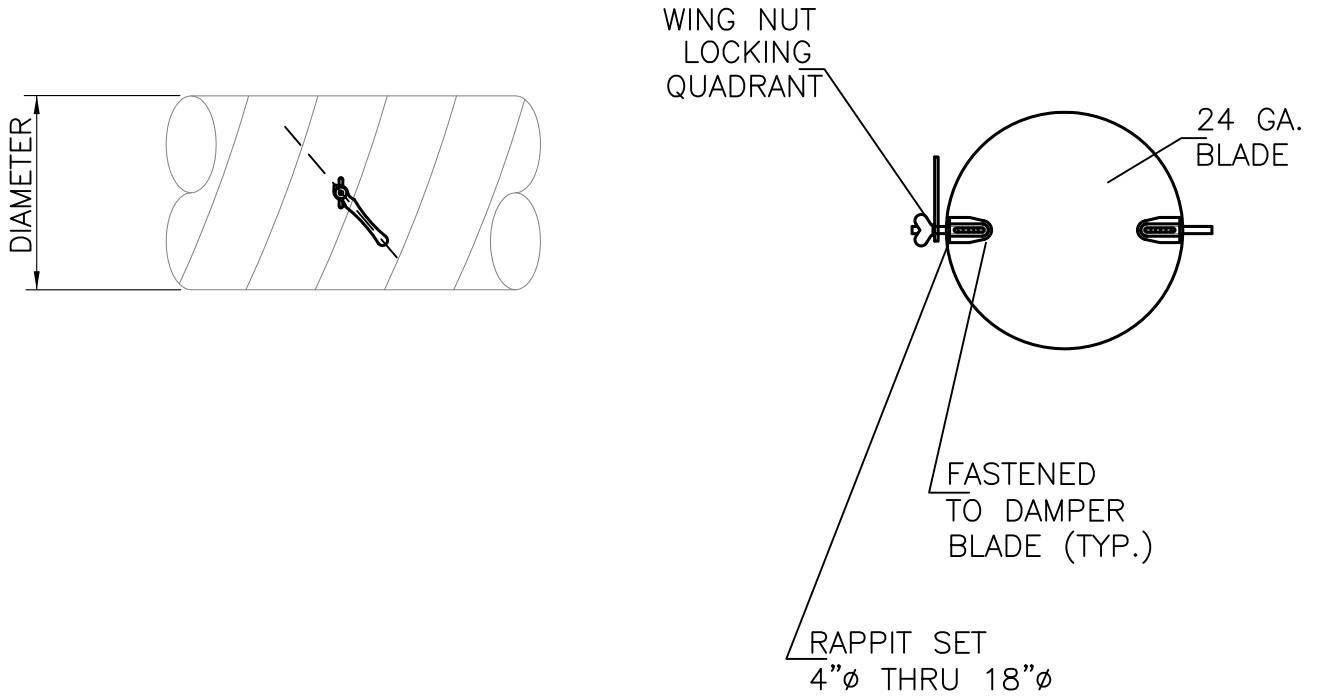
LAP, SPOTWELD AND SEAL



www.langdonsheetmetal.com

SUBMITTAL SPIRAL FITTINGS

MANUAL VOLUME DAMPER 4"Ø TO 18"Ø



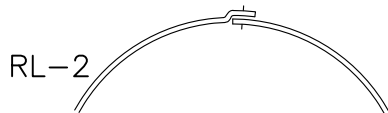
SYSTEM NUMBER/AREA : _____
 MATERIAL/STATIC WG : _____

TAG QTY. DIAMETER

FABRICATE IN ACCORDANCE WITH
 SMACNA DUCT CONSTRUCTION STANDARDS

TRANSVERSE JOINT
 SMALL END SLIP CONNECTION

LONGITUDINAL SEAMS
 LAP, SPOTWELD AND SEAL



STANDARD SIZES 4"Ø THRU 18"Ø

_____	_____	_____
_____	_____	_____
_____	_____	_____
_____	_____	_____
_____	_____	_____
_____	_____	_____
_____	_____	_____
_____	_____	_____
_____	_____	_____
_____	_____	_____

